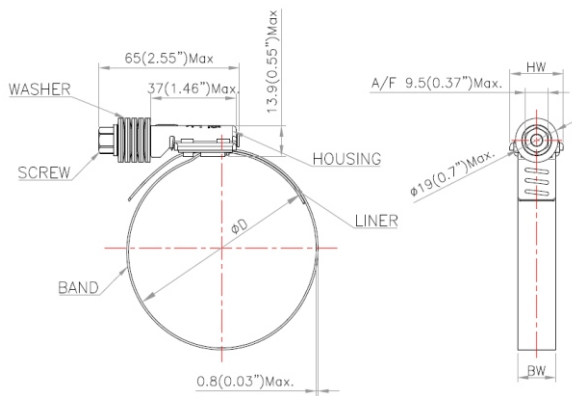
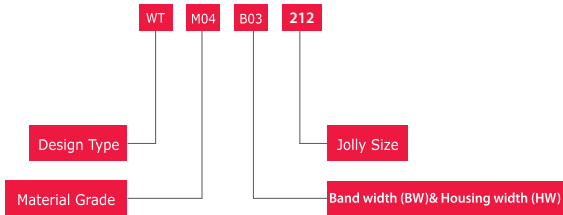


Design Type Ordering Code : **WT/WTL**



Example for Ordering Code



Ordering Code	Material Grade Options
M01	All parts in SS 301 / 304
M02	Band & Housing : SS 301 / 304 Screw : Plated Carbon Steel
M03	Band & Housing : SS 301 / 304 Screw : SS 410
M04	All parts in SS 201/202
M06	All parts in SS 316
M14	Band & Housing : SS 201 / 202 Screw : SS 410

Ordering Code	Band (BW) & Housing (HW) Width Options
B03	Band - 16mm(5/8")

Note: Belleville washers are generally made in SS-300 series unless special requirement specified.

Jolly Size	SAE	Close Dia (in)	Open Dia (in)	Close Dia (mm)	Open Dia (mm)
212	212	1.250	2.125	31.75	53.980
262	262	1.750	2.625	44.45	66.680
312	312	2.250	3.125	57.15	79.380
362	362	2.750	3.625	69.85	92.080
412	412	3.250	4.125	82.55	104.780
462	462	3.750	4.625	95.25	117.480
512	512	4.250	5.125	107.95	130.180
562	562	4.750	5.625	120.65	142.880
612	612	5.250	6.125	133.35	155.600
662	662	5.750	6.625	146.05	168.280
712	712	6.250	7.125	158.75	180.980
762	762	6.750	7.625	171.45	193.680
812	812	7.250	8.125	184.15	206.380
862	862	7.750	8.625	196.85	219.080
912	912	8.250	9.125	209.55	231.780

Additional sizes are available as per enquiry.

We reserve the right to make technical modifications.

UPC code made available on request.

Packing Specification available.