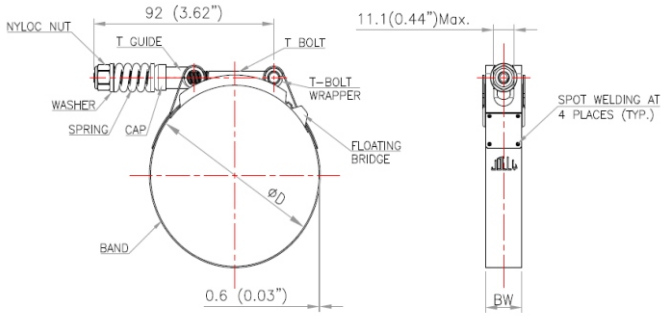


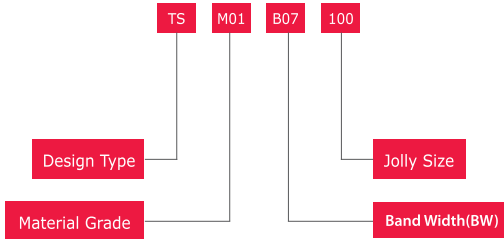
# Design Type Ordering Code : TS



Ordering Code	Material Grade Options	
<b>M01</b>	All parts	:SS 301 / 304
<b>M05</b>	Band T-Bolt,Trunion, Nut & Spring	:SS 201 / 202 :Plated Carbon Steel
<b>M06</b>	Band T-Bolt,Trunion, Nut & Spring	:SS 316 :SS 316
<b>M10</b>	Band,T-Bolt,Trunion Nut & Spring	:SS 201 / 202 : Plated Carbon Steel
<b>M15</b>	Band Trunion T-Bolt Nut & Spring	:SS 301 / 304 :Plated Carbon Steel
<b>M16</b>	Trunion, Band & Spring T-Bolt & Nut	:SS 301 / 304 : Plated Carbon Steel
<b>M17</b>	Band T-Bolt,Trunion,Nut & Spring	:SS 301 / 304 :Plated Carbon Steel

Note: Helical Spring is generally made of High carbon steel unless requirement is specified.

Ordering Code	Band (BW) & Bridge (HW) Width Options	
<b>B08</b>	Band	: 19mm (0.75")
	Floating Bridge	: 22.5mm (0.89")



## Size Chart:

Jolly Size Ordering code	SAE Sizes	Min Dia (in)	Max Dia (in)	Min Dia (mm)	Max Dia (mm)
<b>28</b>	28	3/4	2	44.5	50.8
<b>32</b>	32	1 7/8	2 3/16	47.8	55.6
<b>36</b>	36	2	2 5/16	50.8	58.7
<b>40</b>	40	2 1/8	2 7/16	54.1	62
<b>44</b>	44	2 1/4	2 9/16	57.2	65
<b>48</b>	48	2 3/8	2 11/16	60.5	68.3
<b>52</b>	52	2 1/2	2 13/16	63.5	71.4
<b>56</b>	56	2 5/8	2 15/16	66.8	74.7
<b>60</b>	60	2 3/4	3 1/16	69.9	77.7
<b>64</b>	64	2 7/8	3 3/16	73.2	81
<b>68</b>	68	3	3 5/16	76.2	84.1
<b>72</b>	72	3 1/8	3 7/16	79.5	87.4
<b>76</b>	76	3 1/4	3 9/16	82.6	90.4
<b>80</b>	80	3 3/8	3 11/16	85.9	93.7
<b>84</b>	84	3 1/2	3 13/16	88.9	96.8
<b>88</b>	88	3 5/8	3 15/16	92.2	100.1
<b>92</b>	92	3 3/4	4 1/16	95.3	103.1
<b>100</b>	100	4	4 5/16	101.6	109.5
<b>108</b>	108	4 1/4	4 9/16	108	115.8
<b>116</b>	116	4 1/2	4 13/16	114.3	122.2
<b>124</b>	124	4 3/4	5 1/16	120.7	128.5
<b>132</b>	132	5	5 5/16	127	134.9
<b>140</b>	140	5 1/4	5 9/16	133.4	141.2

## Size Chart Continued:

Jolly Size Ordering code	SAE	Min Dia (in)	Max Dia (in)	Min Dia (mm)	Max Dia (mm)
<b>148</b>	148	5 1/2	5 13/16	139.7	147.6
<b>156</b>	156	5 3/4	6 1/16	146.1	153.9
<b>164</b>	164	6	6 5/16	152.4	160.3
<b>172</b>	172	6 1/4	6 9/16	158.8	166.6
<b>180</b>	180	6 1/2	6 13/16	165.1	173
<b>188</b>	188	6 3/4	7 1/16	171.5	179.3
<b>196</b>	196	7	7 5/16	177.8	185.7
<b>204</b>	204	7 1/4	7 9/16	184.2	192
<b>212</b>	212	7 1/2	7 13/16	190.5	198.4
<b>220</b>	220	7 3/4	8 1/16	196.9	204.7
<b>228</b>	228	8	8 5/16	203.2	211.1
<b>236</b>	236	8 1/4	8 9/16	209.6	217.4
<b>244</b>	244	8 1/2	8 13/16	215.9	223.8

Additional sizes are available as per enquiry.

We reserve the right to make technical modifications.

UPC code made available on request.

Packing Specification available.