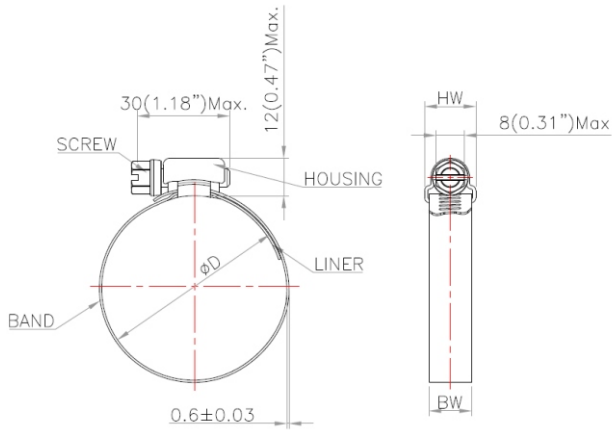


Design Type Ordering Code : WL



Example for Ordering Code

WL M01 B03 20

Design Type

Jolly Size

Material Grade

Band width (BW) & Housing width (HW)

* Jolly size ordering codes vary as per SAE & IS/BS sizes.

* Underlap / liner can be given for clamp above 38mm

Jolly sizes as per IS/BS Standard

Jolly Size Ordering code	IS / BS Sizes	Min Dia (in)	Max Dia (in)	Min Dia (mm)	Max Dia (mm)
J1X	40	1.181	1.575	30	40
J45A	45	1.378	1.772	35	45
J2A	50	1.496	1.969	38	50
J2	55	1.654	2.165	42	55
J2X	60	1.772	2.362	45	60
J65A	65	1.772	2.559	45	65
J3	70	1.969	2.756	50	70
J75A	75	2.165	2.953	55	75
J3X	80	2.362	3.150	60	80
J4	90	2.756	3.543	70	90
J4X	100	3.150	3.937	80	100
J110A	110	3.543	4.331	90	110
J5	115	3.740	4.528	95	115
J5X	120	3.937	4.724	100	120
J6	130	4.331	5.118	110	130
J575 S	145	4.921	5.709	125	145
J6X	160	5.512	6.299	140	160

Additional sizes are available as per enquiry.

Ordering Code	Material Grade Options	
M01	All parts	: SS 301 / 304
M02	Band & Housing	: SS 301 / 304
	Screw	: Plated Carbon Steel
M03	Band & Housing	: SS 301 / 304
	Screw	: SS 410
M04	All parts	: SS 201 / 202
M06	All parts	: SS 316
M07	Band & Housing	: SS 201 / 202
	Screw	: Plated Carbon Steel
M13	Band	: SS 201 / 202
	Housing & Screw	: Plated Carbon Steel
M14	Band & Housing	: SS 201 / 202
	Screw	: SS 410
M17	Band	: SS 301 / 304
	Housing & Screw	: Plated Carbon Steel
M18	Band	: SS 202
	Housing	: SS 201
	Screw	: Plated Carbon Steel

Ordering Code Band (BW) & Housing (HW) Width Options

B01	Band	: 12.7mm (0.5")
	Housing	: 15.5mm (0.61")
B02	Band	: 14mm (0.55")
	Housing	: 16.5mm (0.65")
B03	Band	: 16mm (0.63")
	Housing	: 18.5mm (0.73")
B15	Band	: 9 mm
	Housing	: 12.5mm

Jolly Size Ordering code	SAE Sizes	Min Dia (in)	Max Dia (in)	Min Dia (mm)	Max Dia (mm)
20	20	1 1/8	1 3/4	29	44
24	24	1 1/4	2	32	51
28	28	1 5/16	2 1/4	33	57
32	32	1 9/16	2 1/2	40	63
36	36	1 13/16	2 3/4	46	70
40	40	2 1/16	3	52	76
44	44	2 5/16	3 1/4	59	82
48	48	2 9/16	3 1/2	65	89
52	52	2 13/16	3 3/4	72	95
56	56	3 1/16	4	78	101
60	60	3 9/16	4 1/4	84	108
64	64	3 9/16	4 1/2	91	114
72	72	4 1/16	5	103	127

Additional sizes are available as per enquiry.

We reserve the right to make technical modifications.

UPC code made available on request.

Packing Specification available.